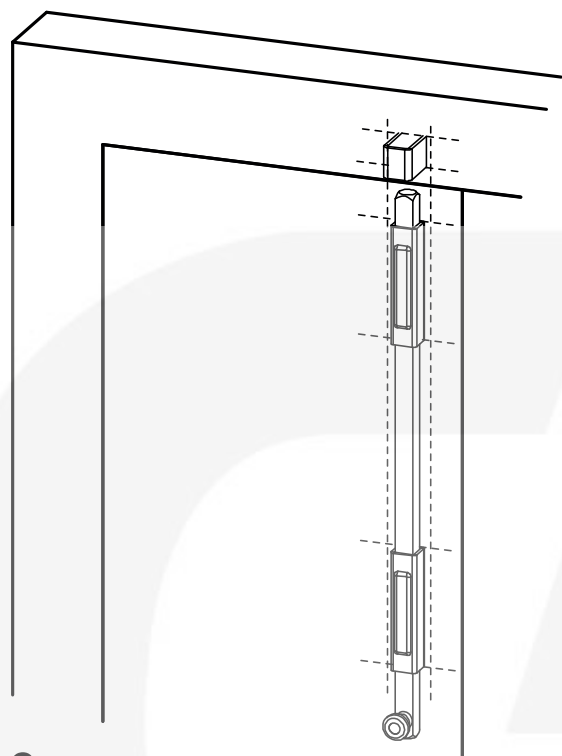
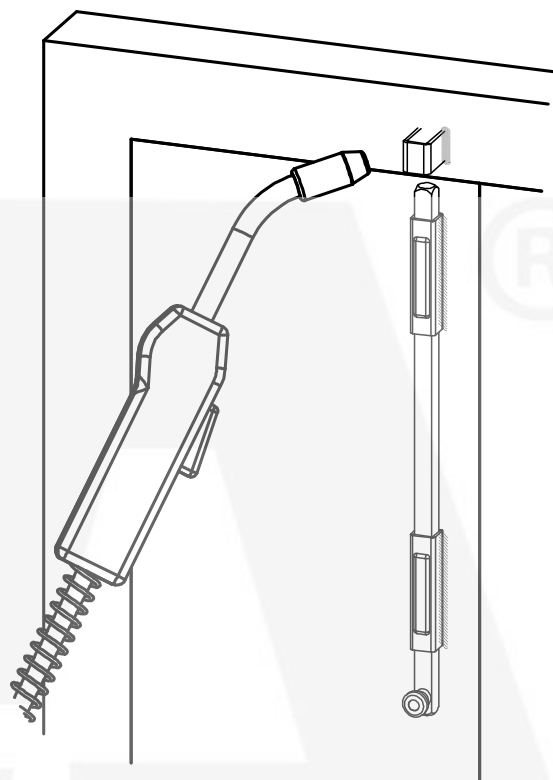


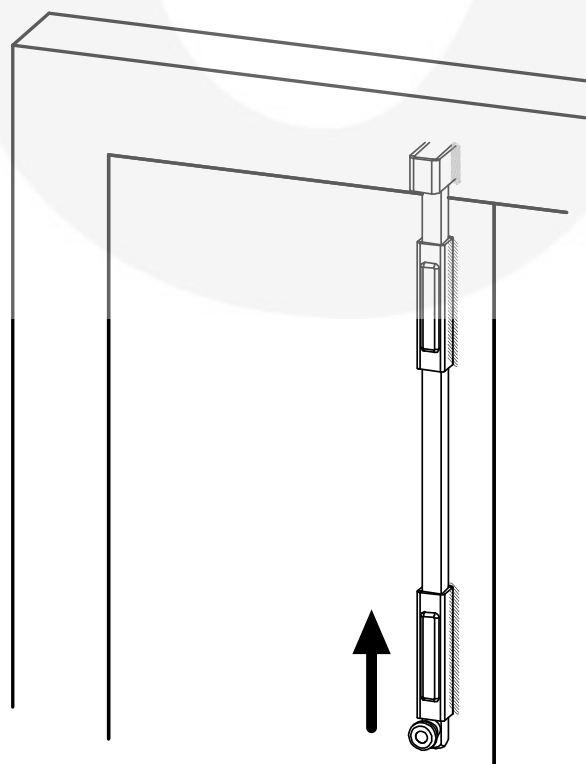
1



2

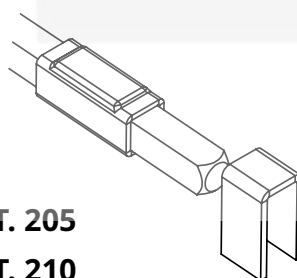


3



**ART. 205**

**ART. 210**



**ART. 206**

**ART. 211**

