

cod.	mm.	pz/pcs	A	C	R
295.150	150	10	150	62	0 - 48
295.200	200	10	200	89	0 - 48
295.250	250	10	250	110	0 - 48
295.300	300	10	300	135	0 - 48
295.400	400	10	400	187	0 - 48
295.500	500	8	500	239	0 - 48
295.700	700	6	700	337	0 - 48



Block-system



Galvanized and painted steel components



- Components to fix
- Adequately strengthen the areas anchoring the door and/or structure / frame.



Check the product every 6/12 months.
In case of anomalies, prevent the usage of the hinge and the installed product must be checked by professional personnel.



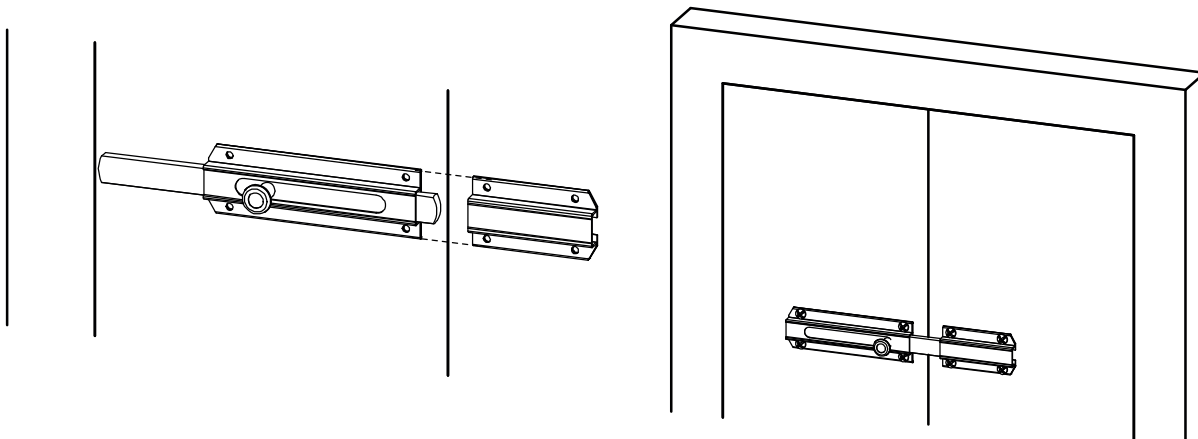
Responsibly dispose of the product and of its packaging respecting the local legislations of the Country of installation.

The company reserves the right to make technical as well as aesthetic changes without previous notice.

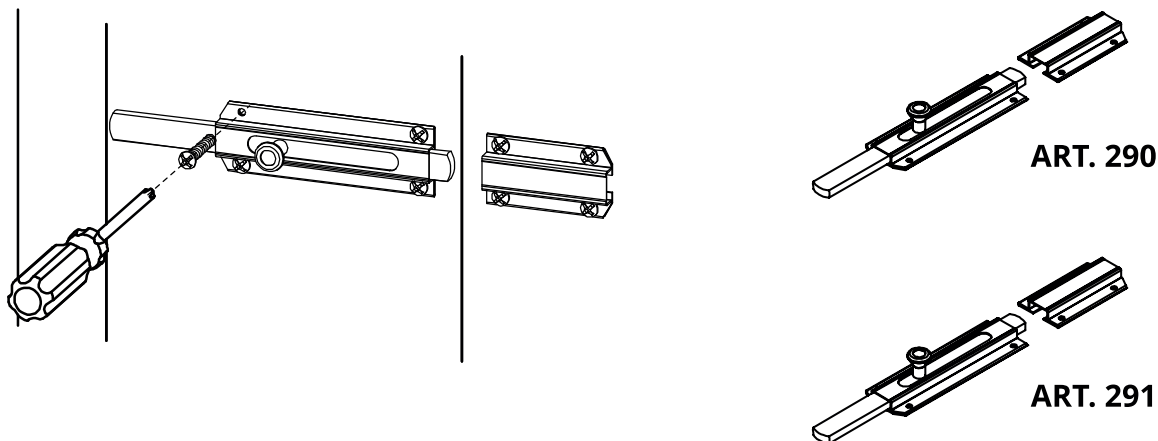
All responsibility due to an inappropriate use of the product is declined.

All drawings, photos, trademarks, logos, are of exclusive Combi Arialdo's property. All uses not expressly authorized by the company will be prosecuted.

1



2



3

