

cod.	mm.	pz/pcs	A	C	ØD	E	sp.	F	G	H	I
297.16x230	16x230	6	230	140	Ø15	50	3	122	-	37	5.5x7
297.16x560	16x560	4	560	465	Ø15	50	3	447	148	37	5.5x7
297.20x710	20x710	2	710	630	Ø19	50	4	612	148	35	5.5x7



Block-system



Galvanized steel components



- Components to fix
- Adequately strengthen the areas anchoring the door and/or structure / frame.



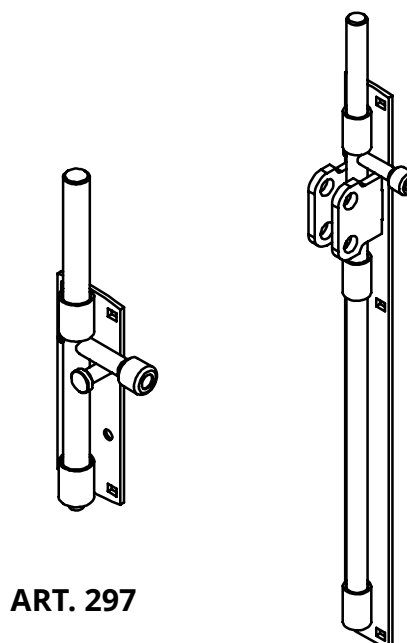
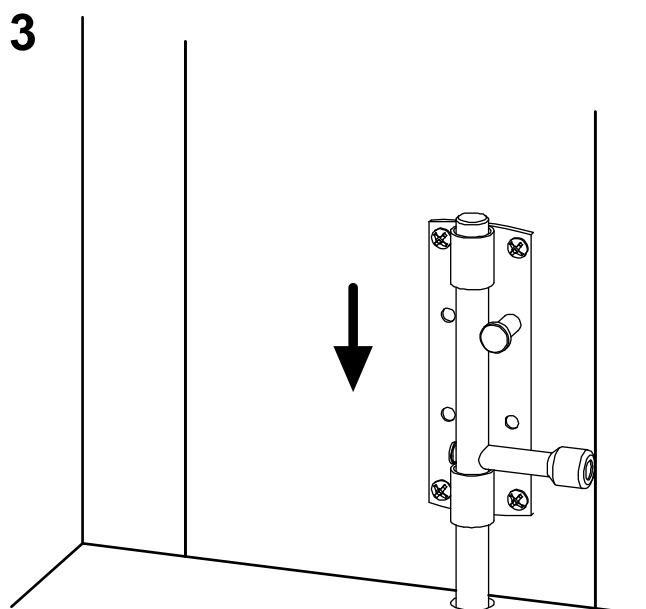
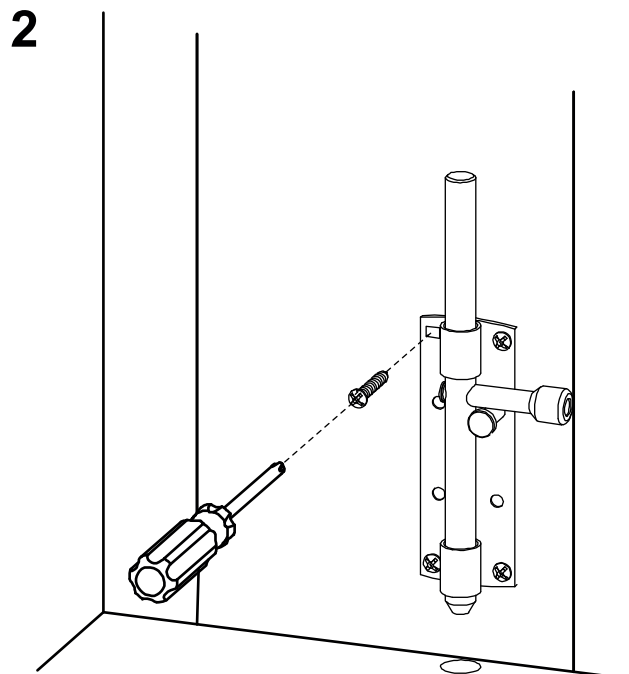
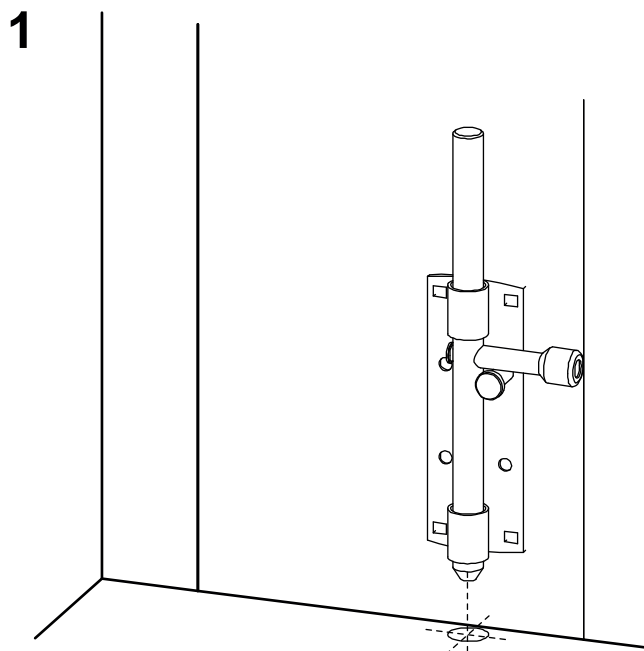
Check the product every 6/12 months.
In case of anomalies, prevent the usage of the hinge and the installed product must be checked by professional personnel.



Responsibly dispose of the product and of its packaging respecting the local legislations of the Country of installation.

The company reserves the right to make technical as well as aesthetic changes without previous notice.
All responsibility due to an inappropriate use of the product is declined.

All drawings, photos, trademarks, logos, are of exclusive Combi Arialdo's property. All uses not expressly authorized by the company will be prosecuted.



ART. 297

ART. 298