

cod.	mm.	pz/pcs	A	B	C	ØD	ØM	E	sp.	F	G	H	I
299.10x100	10x100	10	100	15	68	Ø10	10,5	35	3	53	-	22	5,5x7
299.12x150	12x150	10	145	40	100	Ø12	10,5	35	3	84	24	22	5,5x7
299.12x200	12x200	8	200	55	155	Ø12	10,5	35	3	139	39	22	5,5x7
299.12x250	12x250	8	250	55	180	Ø12	10,5	35	3	164	39	22	5,5x7
299.16x250	16x250	6	245	55	180	Ø15	10,5	35	3	164	39	22	5,5x7
299.16x320	16x320	6	320	75	245	Ø15	10,5	50	3	227	57	37	5,5x7



Block-system



Galvanized steel components



- Components to fix
- Adequately strengthen the areas anchoring the door and/or structure / frame.



Check the product every 6/12 months.
In case of anomalies, prevent the usage of the hinge and the installed product must be checked by professional personnel.



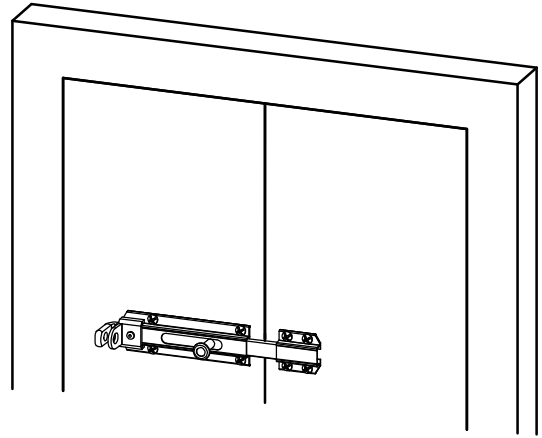
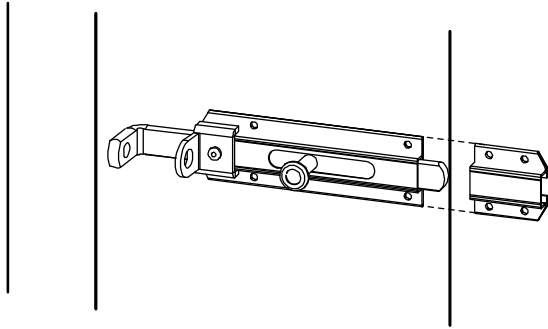
Responsibly dispose of the product and of its packaging respecting the local legislations of the Country of installation.

The company reserves the right to make technical as well as aesthetic changes without previous notice.

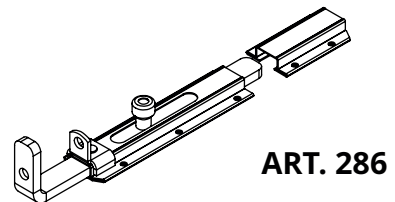
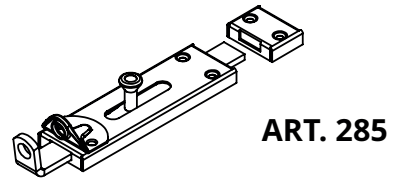
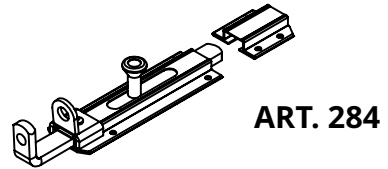
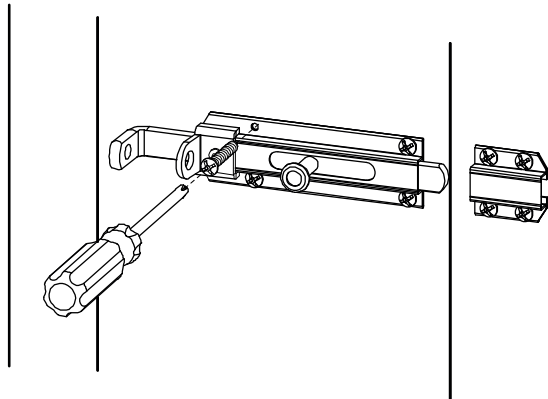
All responsibility due to an inappropriate use of the product is declined.

All drawings, photos, trademarks, logos, are of exclusive Combi Arialdo's property. All uses not expressly authorized by the company will be prosecuted.

1



2



3

