

cod.	mm.	pz/pcs	A	B	C	ØD	E	ØF	H	L	M	sp
365.180	180	10	50	35	35	Ø20	20	Ø6	64	200	98	3
365.280	280	10	65	46	47	Ø28	28	Ø7	80	308	144	4



Block-system



Painted steel components



• Components to fix



Check the product every 6/12 months.

In case of anomalies, prevent the usage of the hinge and the installed product must be checked by professional personnel.



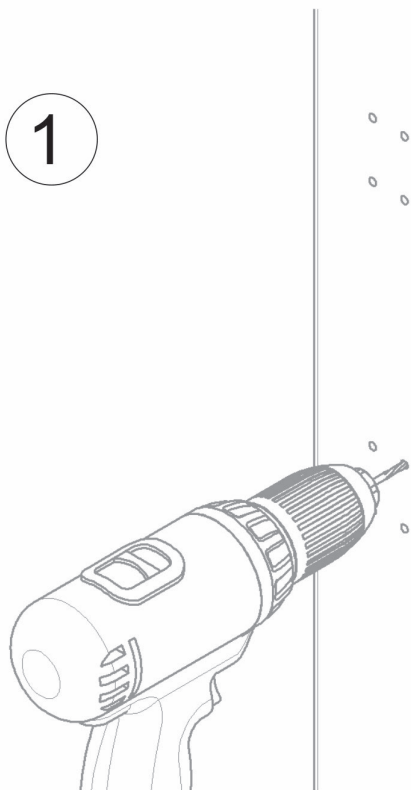
Responsibly dispose of the product and of its packaging respecting the local legislations of the Country of installation.

The company reserves the right to make technical as well as aesthetic changes without previous notice.

All responsibility due to an inappropriate use of the product is declined.

All drawings, photos, trademarks, logos, are of exclusive Combi Arialdo's property. All uses not expressly authorized by the company will be prosecuted.

1



2

