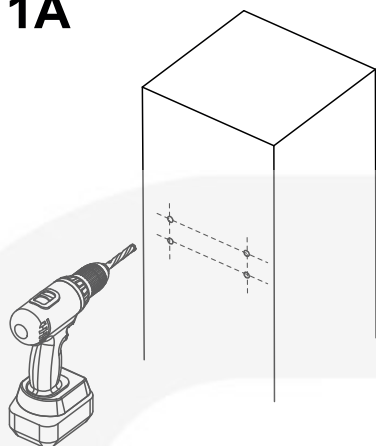
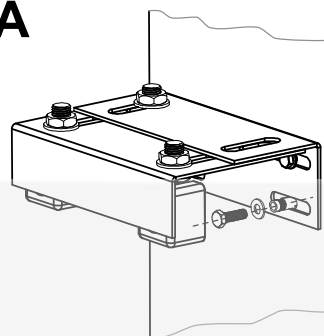


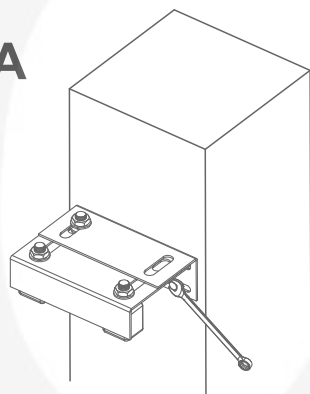
1A



2A

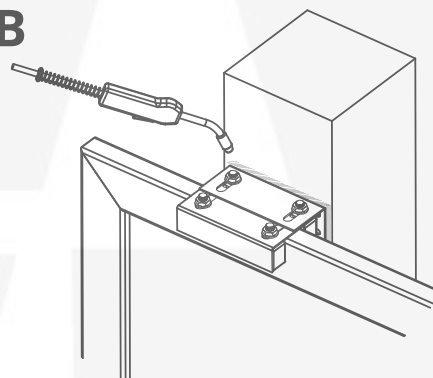


3A



A FISSARE - TO FIX

B



A SILDARE - TO WELD

