

cod.	pz/pcs	D	L	R	anta	finitura
511.N	40	16 - 54	97 - 132	75 - 110	singola	verniciato nero
511.T	40	16 - 54	97 - 132	75 - 110	singola	tropicalizzato
511.DAN	25	16 - 80	142 - 188	120 - 166	doppia	verniciato nero
511.DAT	25	16 - 80	142 - 188	120 - 166	doppia	tropicalizzato



Hardware



Painted/tropicalized steel components



• Components to fix.



Check the product every 6/12 months.
In case of anomalies, prevent the usage of the hinge and the installed product must be checked by professional personnel.



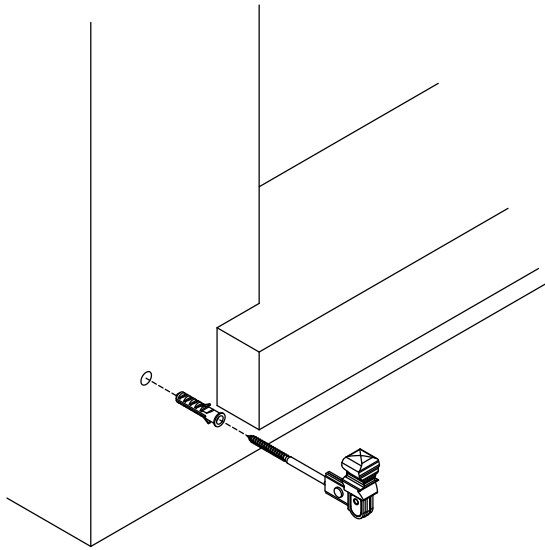
Responsibly dispose of the product and of its packaging respecting the local legislations of the Country of installation.

The company reserves the right to make technical as well as aesthetic changes without previous notice.

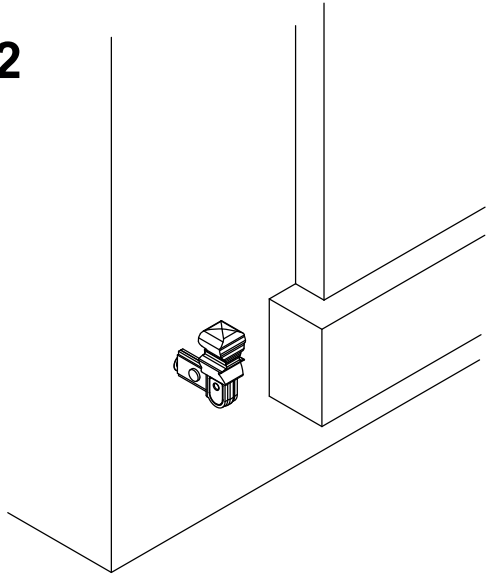
All responsibility due to an inappropriate use of the product is declined.

All drawings, photos, trademarks, logos, are of exclusive Combi Arialdo's property. All uses not expressly authorized by the company will be prosecuted.

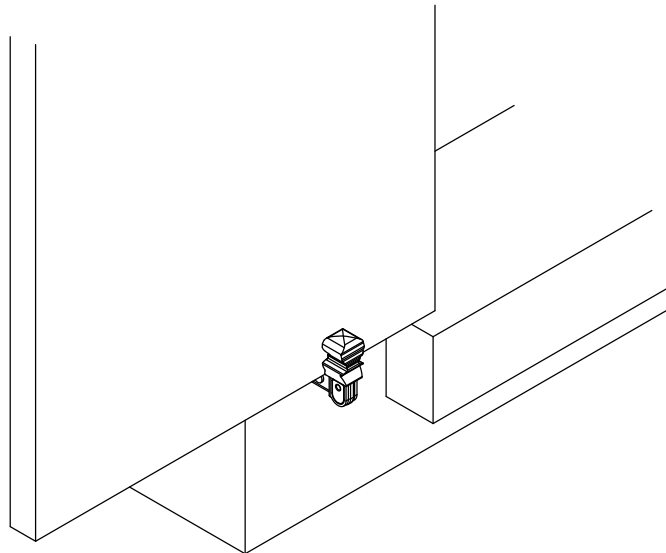
1



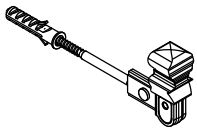
2



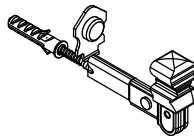
3



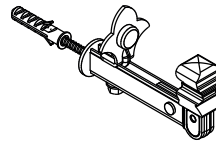
ART. 500



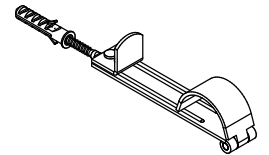
ART. 501



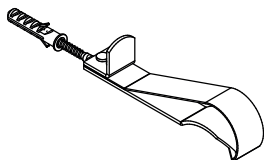
ART. 502



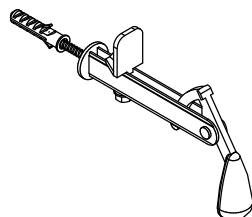
ART. 503



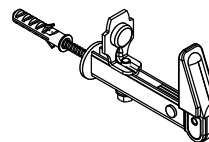
ART. 504



ART. 505



ART. 507



ART. 511

